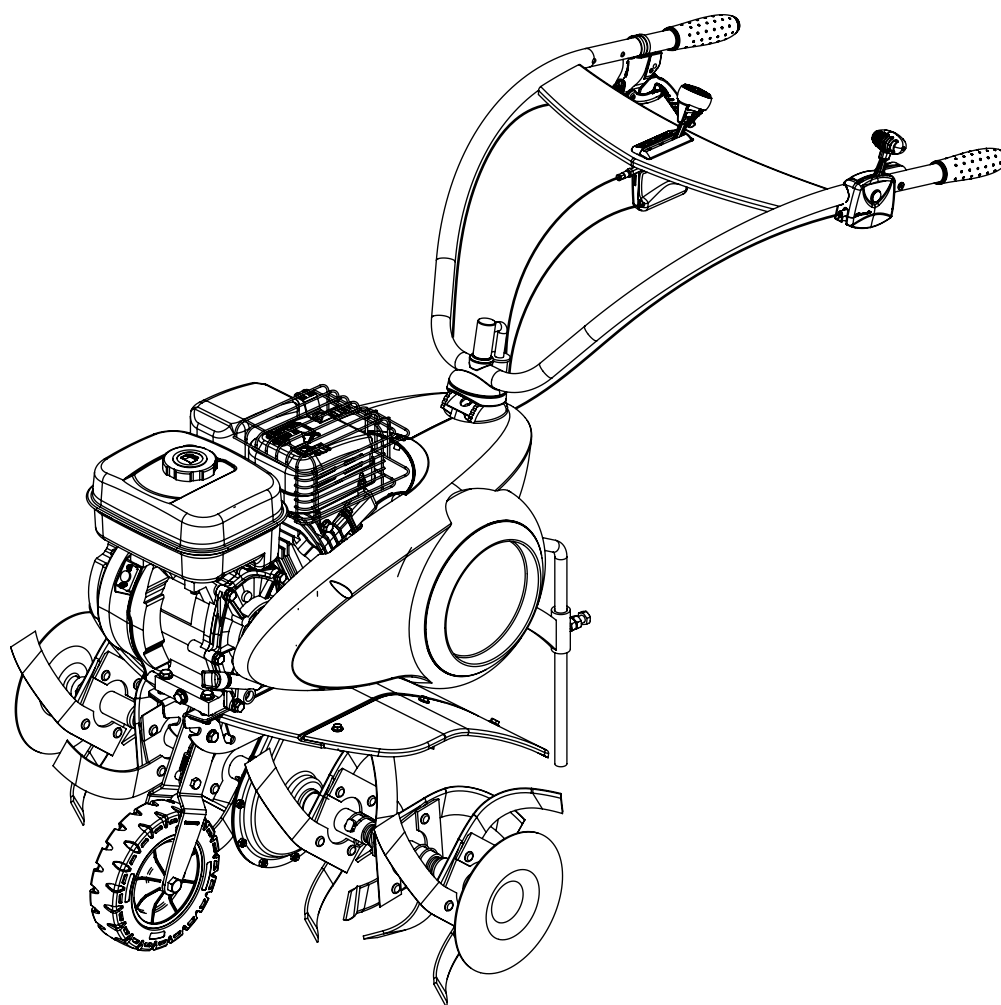
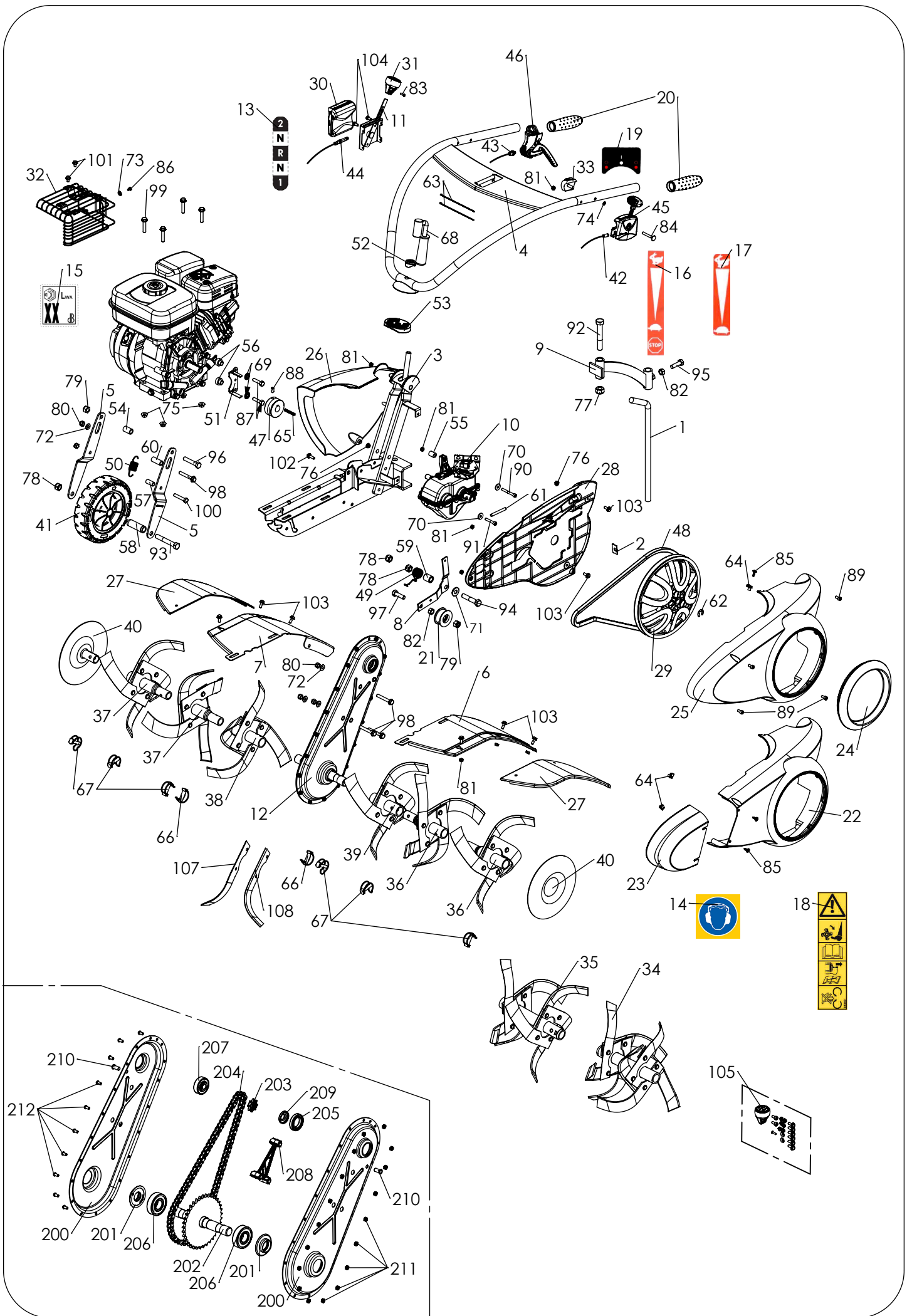


Pièces de rechange Spare parts list

300021****

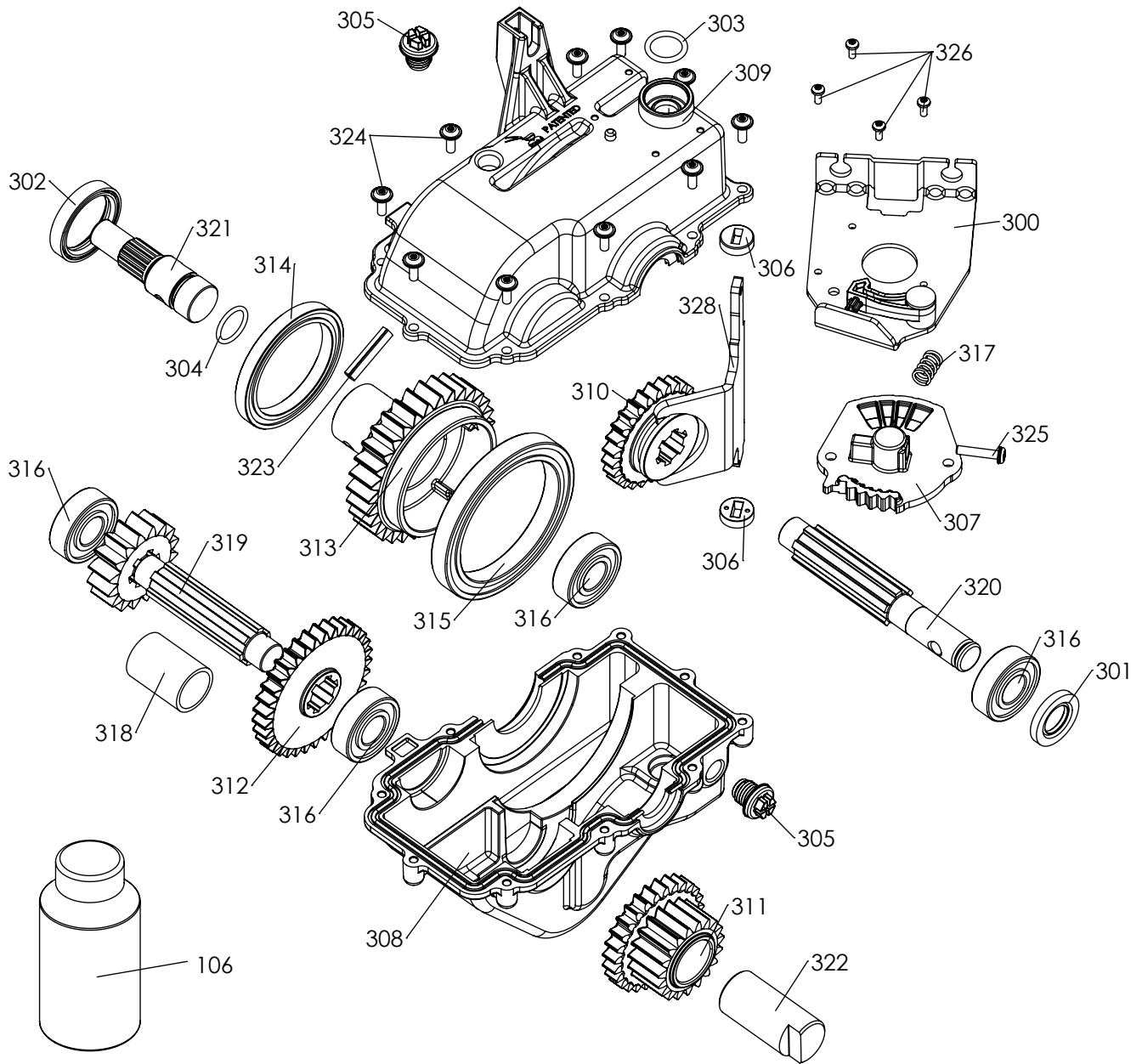


***MOTOBINEUSE
TILLER***



Rep N°	Ref.	Désignation	Description	Moteur Engine	Qte
1	3502010320	BEQUILLE Ø16 xNOIRx	SPUR BLACK		1
2	3003210010	BUTEE SNAP IN	Snap in stop		1
3	3002210307	CHASSIS M0701 NOIR RAL 9005	M0701 FRAME BLACK RAL 9005		1
3	3002210607	CHASSIS M0701 GRIS 627	M0701 FRAME GREY 627		2
4	3002210306	GUIDON M0701 NOIR RAL 9005	M0701 HANDLEBAR BLACK		1
4	3002210506	GUIDON M0701 GRIS RAL 8120	M0701 HANDLEBAR GREY RAL 8120		1
4	3003210002	GUIDON M0701 GRIS 8201	M0701 HANDLEBAR GREY RAL 8201		1
5	3002210305	PLATINE ROUE DE TRANSPORT NOIR RAL 9005	Wheel support black RAL 9005		2
6	3002210304	AILE PROTECTION GAUCHE M0701 NOIR RAL 9005	M0701 TINE GUARD LEFT BLACK RAL 9005		1
6	3002210504	AILE PROTECTION GAUCHE M0701 GRIS RAL 8120	M0701 TINE GUARD LEFT GREY RAL 8120		1
6	3002211304	AILE PROTECTION GAUCHE M0701 ROUGE RAL 3002	M0701 TINE GUARD LEFT RED RAL 3002		1
7	3002210303	AILE PROTECTION DROITE M0701 NOIR RAL 9005	M0701 TINE GUARD RIGHT BLACK RAL 9005		1
7	3002210503	AILE PROTECTION DROITE M0701 GRIS RAL 8120	M0701 TINE GUARD RIGHT GREY RAL 8120		1
7	3002211303	AILE PROTECTION DROITE M0701 ROUGE RAL 3002	M0701 TINE GUARD RIGHT RED RAL 3002		1
8	3002210201	LEVIER EMBR 98x117	PLATE FOR CLUTCH LEVER		1
9	3002000322	CORPS EPERON REGL CINTRE NOIR	Black adjustable spur support		1
10	3001000057	BOITE DE VITESSE F0603 BV2+1R DOIGT D'INDEXAGE	Gear box 2 front speed 1 reverse speed		1
11	3001000055	COMMANDE VITESSE F0603	GEAR LEVER CONTROL		1
12	3001000050	CARTER 8/37 BOULONNE BV	Bolted transmission 8/37		1
13	0503010315	STICKER VITESSE 2+N+R+N+1 F0603	SPEED LABEL 2+N+R+N+1		1
14	0503000077	ETIQ. "SECURITE" 31x31 MM PROTECTION AUDITIVE	SAFTY STICKER EARS PROTECTION		1
15	0503000062	"ETIQ. "NIVEAU DE BRUIT" 93	STICKER NOISE LEVEL '93Db'	950 SERIES	1
15	0503000080	ETIQ. "NIVEAU DE BRUIT" 100 dB	STICKER NOISE LEVEL '100Db'	GX, R210, Lc170, BS800, BS65, BS750	1
15	0503000079	ETIQ. "NIVEAU DE BRUIT" 98 dB	Sticker noise lever '98Db'	EP, SH265	1
16	0503000045	ETIQ. POIGNEE GAZ (AVEC STOP)	STICKER THROTTLE CONTROL STOP-MIN-MAX	EP, BS800, BS65, BS750, 950 SERIES	1
17	0503000043	ETIQ. GAZ (SS STOP)VERS PNEUM DIM 42X11	Label throttle control without stop	GX, R210, Lc170, SH265	1
18	0503000036	"ETIQ. "SECURITE 5 LOGOS"Xce	STICKER SECURITY		1
19	0503000031	"ETIQ. "MARCHE/ARRET"/SWITCH DIM 20 X 15	STICKER SWITCH ON/OFF GX	GX, R210, Lc170, SH265	1
20	0341000068	POIGNEE ELASTO D25 avec lèvre	Rubber hand side grip		2
21	0341000003	GALET 2 EPAULEMENTS ROUL 6200 ZZ	CLUTCH RUNNER ROUL 6200 ZZ		1
22	0340010173	CAPOT COURROIE M0701 DECOUPE NOIR RAL9005	BELT COVER M0701 CUT BLACK RAL9005		1
22	0340010174	CAPOT COURROIE M0701 DECOUPE ROUGE RAL3001	BELT COVER M0701 CUT RED RAL3001		1
22	0340010175	CAPOT COURROIE M0701 DECOUPE ORANGE P1375C	BELT COVER M0701 CUT ORANGE P1375C		1
22	0340010176	CAPOT COURROIE M0701 DECOUPE VERT RAL6029	BELT COVER M0701 CUT GREEN RAL6029		1
22	0340010177	CAPOT COURROIE M0701 DECOUPE BLEU RAL5010	BELT COVER M0701 CUT BLUE RAL5010		1
23	0340010169	TRAPPE AV CAPOT COURROIE POULIE DOUBLE NOIR RAL9005	FRONT BELT COVER DOUBLE PULLEY BLACK RAL9005		1
23	0340010170	TRAPPE AV CAPOT COURROIE POULIE DOUBLE ROUGE RAL3001	FRONT BELT COVER DOUBLE PULLEY RED RAL3001		1
23	0340010171	TRAPPE AV CAPOT COURROIE POULIE DOUBLE ORANGE P1375C	FRONT BELT COVER DOUBLE PULLEY ORANGE P1375C		1
23	0340010172	TRAPPE AV CAPOT COURROIE POULIE DOUBLE VERT RAL6029	FRONT BELT COVER DOUBLE PULLEY GREEN RAL6029		1
23	0340010178	TRAPPE AV CAPOT COURROIE POULIE DOUBLE BLEU RAL5010	FRONT BELT COVER DOUBLE PULLEY BLUE RAL5010		1
24	0340010168	DISQUE HABILLAGE CREUX M0701 ROUGE RAL3001	M0701 DRESS UP HOLLOW DISK RED RAL3001		1
24	0340010158	DISQUE HABILLAGE CREUX M0701 VERT RAL 6029	M0701 DRESS UP HOLLOW DISK GREEN RAL 6029		1
24	0340010130	DISQUE HABILLAGE CREUX M0701 BLEU RAL 5010	M0701 DRESS UP HOLLOW DISK BLUE RAL 5010		1
24	0340010113	DISQUE HABILLAGE CREUX M0701 TRANSPARENT	M0701 DRESS UP HOLLOW DISK TRANSPARENCY		1
24	0340010112	DISQUE HABILLAGE CREUX M0701 GRIS (627)	M0701 DRESS UP HOLLOW DISK GREY (627)		1
24	0340010106	DISQUE HABILLAGE CREUX M0701 NOIR RAL 9005	M0701 DRESS UP HOLLOW DISK BLACK RAL 9005		1
25	0340010152	CAPOT COURROIE M0701 JAUNE RAL 1021	M0701 BELT COVER YELLOW RAL 1021		1
25	0340010144	CAPOT COURROIE M0701 ORANGE P1375C	M0701 BELT COVER ORANGE P1375C		1
25	0340010140	CAPOT COURROIE M0701 VERT RAL 6029	M0701 BELT COVER GREEN RAL 6029		1
25	0340010134	CAPOT COURROIE M0701 BLEU RAL 5010	M0701 BELT COVER BLUE RAL 5010		1
25	0340010132	CAPOT COURROIE M0701 ORANGE RAL 2009	M0701 BELT COVER ORANGE RAL 2009		2
25	0340010115	CAPOT COURROIE M0701 ROUGE RAL3001	M0701 BELT COVER RED RAL 3001		1
25	0340010108	CAPOT COURROIE M0701 Noir RAL 9005	M0701 BELT COVER BLACK RAL 9005		1
26	0340010151	CAPOT DROIT M0701 JAUNE RAL 1021	M0701 RIGHT COVER YELLOW RAL 1021		1
26	0340010143	CAPOT DROIT M0701 ORANGE P1375C	M0701 RIGHT COVER ORANGE P1375C		1
26	0340010139	CAPOT DROIT M0701 VERT RAL 6029	M0701 RIGHT COVER GREEN RAL 6029		1
26	0340010133	CAPOT DROIT M0701 BLEU RAL 5010	M0701 RIGHT COVER BLUE RAL 5010		1
26	0340010131	CAPOT DROIT M0701 ORANGE RAL 2009	M0701 RIGHT COVER ORANGE RAL 2009		2
26	0340010114	CAPOT DROIT M0701 ROUGE RAL3001	M0701 RIGHT COVER RED RAL 3001		1
26	0340010107	CAPOT DROIT M0701 Noir RAL 9005	M0701 RIGHT COVER BLACK RAL 9005		1
27	0340010117	ENSEMBLE EXT TOLE PROT M0701 ROUGE RAL 3001	GUARD EXTENSION LEFT & RIGHT RED RAL 3001		1
27	0340010116	ENSEMBLE EXT TOLE PROT M0701 NOIR RAL 9005	GUARD EXTENSION LEFT & RIGHT BLACK RAL 9005		1
27	0340010138	ENSEMBLE EXT TOLE PROT M0701 ORANGE P1375C	GUARD EXTENSION LEFT & RIGHT ORANGE P1375C		1
27	0340010137	ENSEMBLE EXT TOLE PROT M0701 VERT RAL 6029	GUARD EXTENSION LEFT & RIGHT GREEN RAL 6029		1
27	0340010135	ENSEMBLE EXT TOLE PROT M0701 BLEU RAL 5010	GUARD EXTENSION LEFT & RIGHT BLUE RAL 5010		1
28	0340010109	CACHE INTERIEUR M0701 NOIR RAL9005	M0701 interior hide		1
29	0340010105	POULIE Ø260 GRIS 7040	TRANSMISSION PULLEY Ø206		1
30	0340000012	COQUE LEVIER DE VITESSE F0603	GEAR CONTROL COVER		1
31	0340000011	POMMEAU LEVIER DE VIT M0701	SPEED SELECTOR LEVER		1
32	0330032001	GRILLE ECHAPPEMENT EP	EXHAUST GRILL EP	EP	1
32	0330012009	GRILLE ECHAP GX120/GX160 UT2	EXHAUST GRILL GX120/GX160 UT2	GX	1
32	0330062003	GRILLE ECHAPP LONCIN 212cc	EXHAUST GRILL LONCIN 212cc	Lc 170	1
32	0330092003	GRILLE ECHAPP R180/R210	EXHAUST GRILL R180/R210	R 210	1
32	0330102001	GRILLE ECHAPP KÖHLER SH265	EXHAUST GRILL KÖHLER SH265	SH 265	1
33	0330012006	SWITCH STOP GX	Switch engine cut-off	GX, R210	1
33	0330062001	SWITCH ON/OFF LONCIN	SWITCH ON/OFF LONCIN	Lc170, SH265	1
34	0320010020	FRAISE DEPART MONO GAUCHE D25 HEL 40X4	LEFT TWIN TINES D25 HELICOID BLADE (40X4)		1
35	0320010019	FRAISE DEPART MONO DROITE D25 HEL 40X4	RIGHT TWIN TINES D25 HELICOID BLADE (40X4)		1
36	0320010008	FRAISE ADDIT HEL 40X4 GAUCHE	LEFT ADDITIONAL TINE D25 HELICOID BLADE (40X4)		2
37	0320010007	FRAISE ADDIT HEL 40X4 DROIT	RIGHT ADDITIONAL TINE D25 HELICOID BLADE (40X4)		2
38	0320010006	FRAISE DEPART DEM HEL 40X4 DROIT	RIGHT TINE REMOVABLE D25 HELICOID BLADE (40X4)		1
39	0320010005	FRAISE DEPART DEM HEL 40X4 GAUCHE	LEFT TINE REMOVABLE D25 HELICOID BLADE (40X4)		1
40	0320010001	DISQUE D25 NOIR RAL9005	DISK D25 BLACK RAL9005		2
41	0309000033	ROUE RT DIAM200 ALS 20	RT wheel Ø200 bore 20		1
42	0308040055	CABLE GAZ x1150xLF60 70° MANETTE LGC	THROTTLE CABLE 1150 STROKE 60	BS 800, BS 65	1
42	0308040050	CABLE GAZ x1050 xLF60 70° MANETTE LGC	Throttle cable Lg 1050mm stroke 60mm	EP, GX, R210, BS 750, SH265, Lc170, 950 SERIES	1

Rep N°	Ref.	Désignation	Description	Moteur Engine	Qte
43	0308020052	CABLE EMB Lg 1050 CF 133 LAKS EMB CLIP	CLUTCH CABLE LG1050 CF133 LAKS LEVER x CLIP TIP		1
44	0308010012	CABLE VIT DOUBLE LG600 CF75	Gear cable		1
45	0307020023	MANETTE GAZ LGC POMMEAU NOIR RAL9005	THROTTLE LEVER LGC BLACK KNOB RAL9005		1
46	0307010034	LEVIER EMB LAKS C27 GUID D25 TEMPO EMBRAYAGE	HANDLEVER LAKS C27 D25 CLUTCHING SYMBOL		1
47	0306060005	POULIE MOT D55 ALES 19,06	ENGINE PULLEY D55 BORE Ø19,06		1
48	0306030060	COURROIE LA46	BELT LA46	BS 65	1
48	0306030057	COURROIE LA45	BELT LA45	BS800, BS750, EP, Lc170, R210, SH265. 950.SERIES	1
49	0305020005	RESSORT CP 21 25/10 GALVA LEVIER EMBR xMECA00	SPRING CP 21 25/10 GALVA LEVIER EMBR xMECA00x		1
50	0305010015	RESSORT TR 43xØ20x22/10 GALVA	Draw spring 43xØ20x22/10 galva		1
51	0304000303	GUIDE COURROIE Ø55 carter 8/37	DRIVE BELT ENGINE PULLEY		1
52	0303000024	ENTRETOISE POIGNEE SERRAGE H16	Tightenning lever spacer height 16		1
53	0303000023	RONDELLE CRANTE M0701 LIAISON GUIDON	M0701 filler piece		1
54	0302020116	ENTR. 1.6x10x26 xZNCr3x	SPACER 1.6x10x26 xZ		1
55	0302020112	ENTR. 1.4x6x18.4xZ	SPACER 1.4x6x18.4 xZ		1
56	0302020111	ENTRET EPAUL D13 d9 Lg16,5	SPACER SHOULDER 13x9x16.5 Z		2
57	0302020103	ENTR. 1.2x8x26 Z	SPACER 1.2x8x26 Z		1
58	0302020081	ENTR. 20X12.5x61.5 xPOM	PLASTIC SPACER 20x12.5x61.5		1
59	0302020020	ENTRET. LEV EMB xMECAx PA6.6 12x20 LG 24	Clutch lever spacer		1
60	0302020015	ENTR. 1.4x9x35 xZNCr3x ENTRETOISE CHASSIS	SPACER 1.4x9x35 xZ		1
61	0302010021	AXE FIXATION POULIE INVERSEUR MECANIQUE	PULLEY PIN SHAFT MECANIQUE		1
62	0301070026	ANNEAU ELASTIQUE RADIAL DIAM12 DIN6799	RADIAL RETAINING RING Ø12		1
63	0301060003	COLLIER POLYAM.3.6 X 140 NOIR	COLLAR		2
64	0301050003	CLIP EASYBOSS 40X25X7	EASYBOSS CLIP 40X25X7		3
65	0301040001	CLAVETTE 4.76X4.76X 40 BTS DRO TOL h 9 - XC 48	KEY 4.76X4.76X40 DRO TOL h 9 - XC 48		1
66	0301010014	GOUPILLE CLIPS 10 x 36	CLIP PIN D10 x 36		2
67	0301010013	GOUPILLE CLIPS 8 x 36	CLIP PIN D8 x 36		6
68	0300801401	POIGNEE SERRAGE M14x150 EMBOUT NOIR	HANDLEBAR TIGHTENING LEVER		1
69	0300430801	RONDELLE CONTACT M8 NFE 25511	CONTACT WASHER 8		2
70	0300410602	RONDELLE SPECIALE 6.3X19 X2,5Z	SPECIAL WASHER 6,3 x 19 x 2,5Z		2
71	0300401201	RONDELLE PLATE M 12X27X2.5 Z NFE 25513	PLATE WASHER M 12X27X2.5 Z NFE 25513		1
72	0300400802	RONDELLE PLATE M 8X18X1.5 Z NFE 25513	PLATE WASHER M 8X18X1.5 Z NFE 25513		4
73	0300400602	RONDELLE PLATE M 6X14X1,2 Z	PLATE WASHER M 6X14X1,2 Z NFEN 25513	GX	1
74	0300400301	RONDELLE PLATE 3.2x10x1 Z	Washer M 3.2x10x1 Z	GX, R210, Lc170, SH265	1
75	0300260801	ECROU HM 8 ZEMB CR DIN 6923-8	NUT H M8 Z NOTCHED SHOULDER		4
76	0300260601	ECROU HM 6 ZEMB CR DIN 6923	NUT H M6 Z NOTCHED SHOULDER		3
77	0300211402	ECROU FREIN M14 Z DIN 985-8	Blocking nut M 14 Z DIN 985-8		1
78	0300211201	ECROU FREIN M 12 Z DIN 985/8	BLOCKING NUT M 12 Z		3
79	0300211001	ECROU FREIN M 10 Z DIN 985/8	BLOCKING NUT M 10 Z		2
80	0300210802	ECROU FREIN M 8 Z DIN 985/8	BLOCKING NUT HM 8 Z DIN 985/8		5
81	0300210602	ECROU FREIN M 6 Z DIN 985-8	BLOCKING NUT M 6 Z		12
82	0300201002	ECROU H.U. M 10 Z DIN 934	NUT HM 10Z		2
83	0300120404	VIS PT WN 1412 KB40x14 Z CRUCI	Screw PT WN 1412 KB 40x14		1
84	0300080610	VIS TRCC 6 X 45/20 Z Din603	SCREW TRCC 6 X 45 Z		1
85	0300080405	VIS TOLE TETE POELIER D11 POZI Cr 4.2X16 Z	SCREW POZI 4.2X16Z		3
86	0300080404	VIS TOLE TCB 4.8X9.5 DIN 7981	SHEET SCREW TCB 4.8 X 9.5	EP	1
86	0300080602	VIS TOLE TCB POZI 6.3 X 13 Z	POZIDRIVE SCREW M6x13Z	GX	1
87	0300060503	VIS 5/16 TH24 UNF11(LG25)EMB C EMBASE CRANTEE 18	SCREW 5/16 TH24 UNF LG 25 NOTCHED SHOULDER	BS 800	2
87	0300060502	VIS 5/16 TH 24 UNF LONG 32 Z	SCREW 5/16 TH 24 UNF LG 32	EP, GX, BS800, R210, SH265	2
87	0300010807	VIS H 8 X 30/22 Z DIN 931/6.8	SCREW H 8 X 30/22 Z DIN 931 / 6.8	BS65, BS750, Lc170, 950 SERIES	2
88	0300040801	VIS STHC 8 X 16 N BT POINTU DIN 914 45H	SCREW ST HC M8X16 DIN 914 45H		1
89	0300020608	VIS CHC 6 X 12 Z DIN 912 8.8	Screw CHC M6x12z		4
90	0300020605	VIS CHC 6 X 50 Z DIN 912 8.8	SCREW CHC 6 X 50 Z DIN 912 8.8		1
91	0300020604	VIS CHC 6 X 35 Z DIN 912 8.8	Screw CHC M6x35z		1
92	0300011401	VIS H 14 X 90/34 Z CL 8.8 NFE 24014 - ISO 4014	Screw H M14x90-34 z cl 8.8 NFE 24014 - ISO 4014		1
93	0300011206	VIS H M 12x80/30 Z ISO 4014 CL 6.8	SCREW H M 12X80/30 Z ISO4014		1
94	0300011205	VIS H 12 X 60/30 N DIN931/6.8	Screw H M12 x 60 z		1
95	0300011015	VIS HM10 X 30 Z NFEN24017 CL8.8 FST	Screw HM 10x30z FST		1
96	0300011007	VIS H M 10x55/26 Z ISO 4014 cl 6.8	Screw H M 10x55 Z		1
97	0300011003	VIS H 10 X 35 FST Z NFEN 24017	SCREW HM 10X35Z FST		1
98	0300010837	VIS H 8x55 Z EMB CR DIN 6921 CL 6.8 FILETAGE PARTIEL	SCREW H 8x55 Z DIN 6921 NOTCHED SHOULDER CL 6.8		4
99	0300010817	VIS H 8x40 Z EMB CR DIN 6921	SCREW H M8 X 40		4
100	0300010802	VIS H 8 X 45/22 Z DIN931/6.8	Screw H M8 x 45		1
101	0300010620	VIS HM6 X 10 Z EMB LISSE CL6.8 NOIR x TETON CYL NFE25019	SCREW HM6 X 10 Z CL6.8 SMTH SHOULD PILOT PNT NFE25019	EP	2
101	0300080501	VIS METAUX TCB POZI 5X10 Z DIN 7985	POZIDRIVE SCREW M5x10Z	GX	2
101	0300090501	VIS TENSIL TH CRANT 5X10 BIC	Tensil screw TH 5x10 bic	Lc170	3
102	0300010610	VIS H 6x20 Z EMB CR DIN 6921	Screw HM 6x20 notched shoulder		1
103	0300010609	VIS H 6x16 Z EMB CR DIN 6921	SCREW HM 6X16 Z NOTCHED SHOULD		8
104	0300010608	VIS H 6 X 12 Z NF EN 24017/6.8	Screw HM6x12		2
105	0300000036	POCHETTE VISSERIE M0701	POCHETTE VISSERIE M0701		1
106	0102000020	BIDON D'HUILE 2L EP SAE 80W90	Oil EP SAE 80W90		1
107	0001000030	COUTEAU HEL 40X4 GAUCHE	Left spiral blade		1
108	0001000029	COUTEAU HEL 40X4 DROIT	Right spiral blade		1
200	3002210308	JOUE DE CARTER 8/37 NOIR RAL 9005	Tranmission housing 8/37 black RAL 9005		2
201	0341000059	Joint carter 1/5 Ø62 x Ø25	Seal		2
202	0306050045	ARBRE DE TRAVAIL 37DTS 12.7	Blade shaft 37 teeth 12.7		1
203	0306050016	PIGNON 8 DTS 12.7 SIMPLE cannelé	PIGNON 8 TOOTH 12.7 RIBBED		1
204	0306020026	CHAINE ISO 08B-1 pas 12.7 78 maillons RSF	CHAIN (78 LINKS RSF) 08B 12.7		1
205	0306010037	ROULEMENT 6906 2RS	Ball bearing 6906 2RS		1
206	0306010020	ROULEMENT 6305 2 RS cl: 0	BALL BEARING 6305 2RS		2
207	0306010016	ROULEMENT 6204 2RS EPAULE	SPECIAL BALL BEARING 6204 2RS		1
208	0303000029	ENTRETOISE 3 pts CARTER 8/37	TRANSMISSION SPACER 8/37		1
209	0303000026	ENTRETOISE 34.5x16x9 CARTER 8/37	Transmission spacer		1
210	0306000604	INSERT M6 ROND BORGNE TOLE 1.5/3	Insert M6		2
211	0300210602	ECROU FREIN M 6 Z DIN 985-8	BLOCKING NUT M 6 Z		18
212	0300110604	VIS TORX M6X12 TETE CYLIND BOMB 6 LOBES INTER	Screw Torx M6x12		18

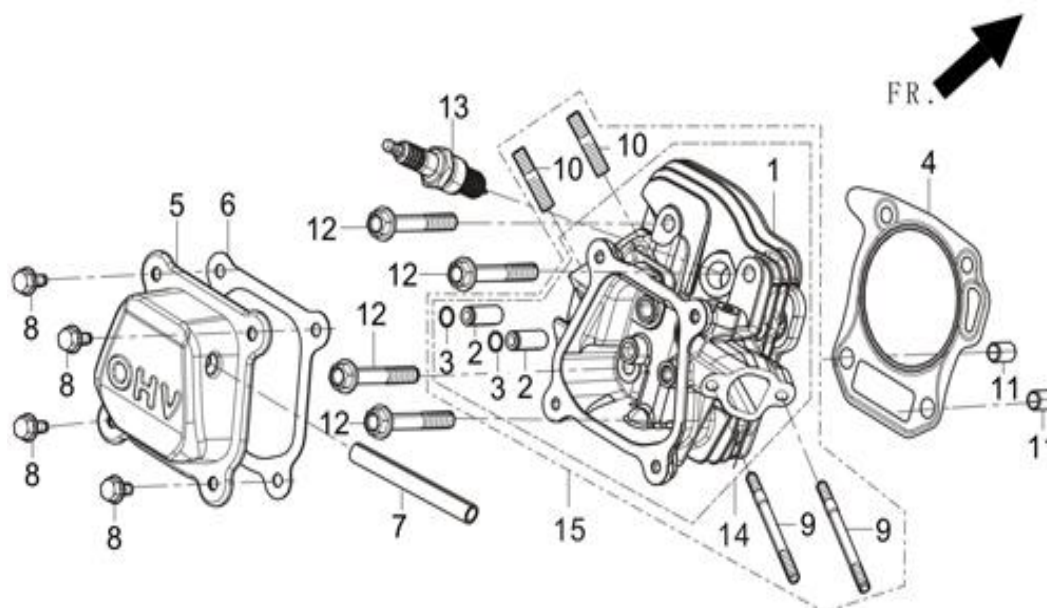


Rep N°	Ref.	Désignation	Description	Qte
300	3001000058	TOLE SELECTEUR VIT. SERTI	SPEED SELECTION CABLE PLAT	1
301	0343020003	BAGUE D'ETANCHEITE 15x28x4 IEL AI DL	SEALING WASHER15x28x4	1
302	0343020002	Bague d'étanchéité 30x40x7 IEL AI DL	Sealing washer 30X40X7	1
303	0343010005	JOINT TORIQUE Ø15x2.5	O'RING SEAL Ø15x2.5	1
304	0343010004	JOINT TORIQUE Ø16x2	O'RING SEAL Ø16x2	1
305	0341000093	BOUCHON M12X1.5	CAP M12x1.5	2
306	0340000010	ENTRETOISE GUIDE FOURCHETTE F0603	FORK GUIDE F0603	2
307	0340000009	LEVIER SELECTION DE VITESSE F0603	SPEED SELECTOR LEVER	1
308	0340000008	COQUE INFERIEUR F0603	BOTTOM CARTER F0603	1
309	0340000007	COQUE SUPERIEUR F0603	UPPER CARTER F0603	1
310	0306050044	PIGNON BALADEUR 26 dts M2	SELECTION GEAR 26th M2	1
311	0306050043	PIGNON MAR 19 et 27 dts M2	REVERSE GEAR 19-27 th M2	1
312	0306050042	PIGNON 1er 33 dts M2	1ST GEAR 33 th M2	1
313	0306050040	PIGNON SORTIE BOITE 31 dts M2.5	OUTPUT GEAR 31 th M2.5	1
314	0306010040	ROULEMENT 6810	BALL BEARING 6810	1
315	0306010039	ROULEMENT 6813	BALL BEARING 6813	1
316	0306010038	Roulement 6202	Ball bearing 6202	4
317	0305020015	RESSORT CP 9x15 12/10 GALVA	Locking spring	1
318	0302020113	ENTRETOISE 20x24x33	SPACER 20x24x33	1
319	0302010111	ARBRE SECONDAIRE F0603	SECONDARY SHAFT F0603	1
320	0302010110	ARBRE D'ENTREE F0603	INPUT SHAFT F0603	1
321	0302010109	ARBRE DE SORTIE F0603	OUTPUT SHAFT F0603	1
322	0302010108	ARBRE TERTIAIRE MAR/1ER F0603	THIRD SHAFT F0603	1
323	0301020018	Goupille HBK 6x28 DIN 8748 ST	Cotter-pin 6x28	1
324	0300090405	Vis Altracs WN5151 40x12z Ejoj: 6317036809	Screw Altracs WN5151 40x12z	10
325	0300090403	VIS TORX WN 1452 K40x20	Screw WN 1452 K40x20 Torx	1
326	0300090303	Vis altracs WN5251 K30x8z	Screw WN5251 K30x8z	4
328	3002000001	FOURCHETTE F0603 TRAITEE	SELECTION FORK F0603 WITH TREATMENT	1
329	0306050041	PIGNON INTER 16 dts M2.5	INTERMEDIATE GEAR 16 th M2.5	1

Pubert engine R210-BH Part list

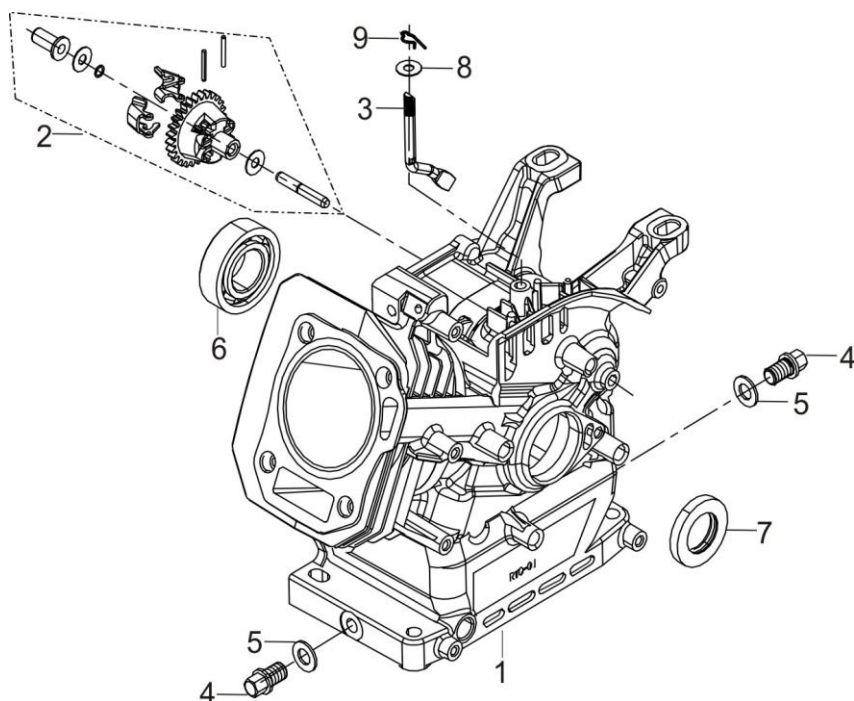
Moteur Pubert R210-BH Pièces détachées

FIG.1 HEAD SUBASSEMBLY, CYLINDER / PLUG, SPARK (E04)



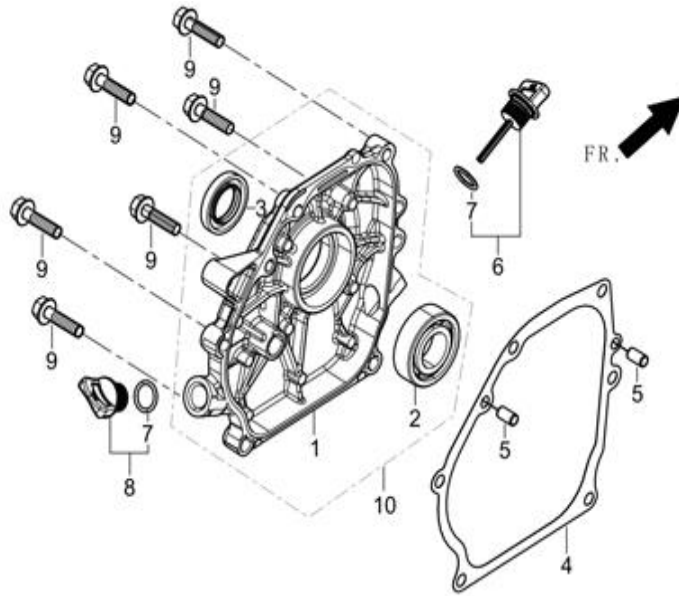
N°	Ref externe - External ref	PUBERT Reference	DESIGNATION - DESCRIPTION	QTY
E04-4	12131-Z530120-0000	0001210101	GASKET, CYLINDER HEAD	1
E04-5	12410-Z440210-0099	0001210001	COVER SUBASSEMBLY, CYLINDER HEAD	1
E04-6	12004-Z440210-0000	0001180002	GASKET, CYLINDER HEAD COVER	1
E04-7	17004-Z440110-0000		TUBE, BREATHER	1
E04-8	90001-0612-01	Not available-Pas disponible	BOLT	4
E04-9	90204-Z010310-0000	Not available-Pas disponible	STUD	2
E04-10	90203-Z010110-0000	Not available-Pas disponible	STUD	2
E04-11	90502-1114-00		PIN	2
E04-12	12003-Z010110-0000	Not available-Pas disponible	BOLT, CYLINDER HEAD	4
E04-13	30010-Z010110-0000	9501000304	PLUG, SPARK	1
E04-15	12140-Z440310-0000	0001210102	HEAD SUBASSEMBLY, CYLINDER	1

FIG.2 CRANKCASE. / GEAR ASSY, GOVERNOR. (E17)



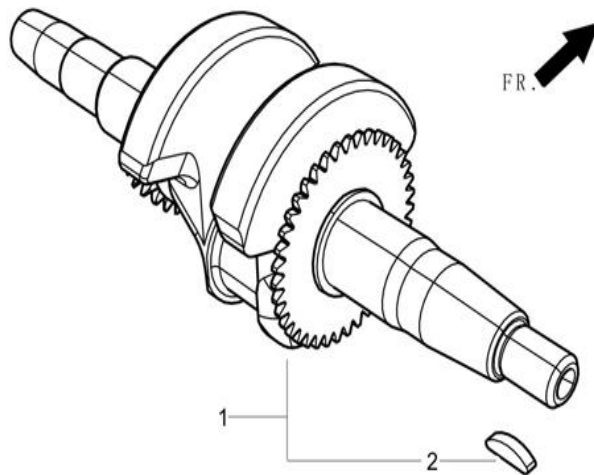
N°	Ref externe - External ref	PUBERT Reference	DESIGNATION - DESCRIPTION	QTY
E17-1	11310-Z530320-0000	0001210103	CRANKCASE SUBASSEMBLY	1
E17-2	16400-Z010110-0000	0001180050	GEAR ASSY, GOVERNOR	1
E17-3	16061-Z010110-0000		ARM, GOVERNOR	1
E17-4	11007-Z010110-0000	9501004145	BOLT, DRAIN PLUG	2
E17-5	90408-Z010110-0000	0001200006	WASHER	2
E17-6	90548-0205-CL	0001100124	BEARING	1
E17-7	90682-Z300110-0000	0001180005	SEAL, OIL	1
E17-8	90408-Z010210-0000		WASHER, GOVERNOR GEAR	1
E17-9	90501-Z010110-0000		PIN	1

FIG.3 COVER SUBASSEMBLY, CRANKCASE (E01)



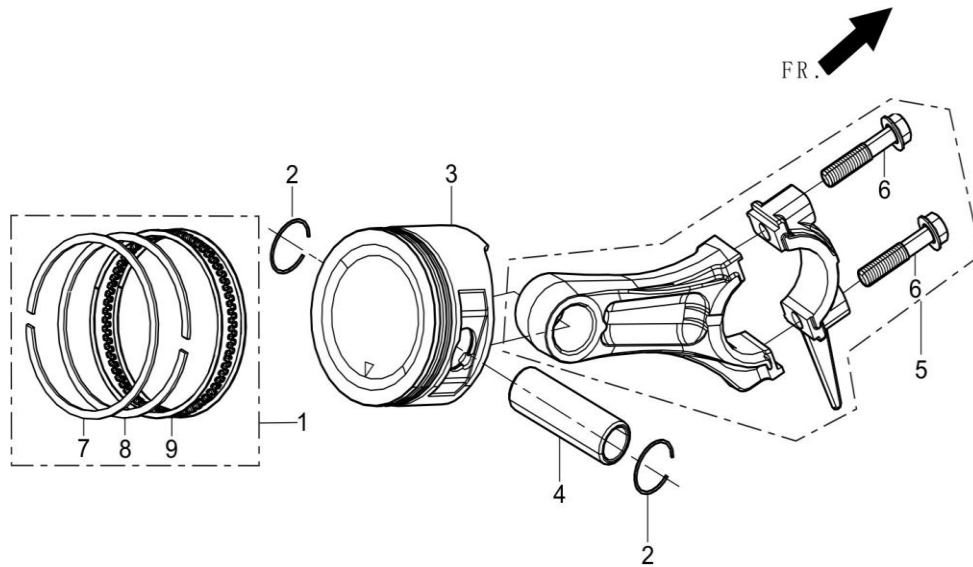
N°	Ref externe - External ref	PUBERT Reference	DESIGNATION - DESCRIPTION	QTY
E01-1	11411-Z440310-0000	0001210004	COVER , CRANKCASE	1
E01-2	90548-0205-CL	0001100124	BEARING	1
E01-3	90682-Z300110-0000	0001180005	SEAL, OIL	1
E01-4	11001-Z440110-0000	0001060053	GASKET, CRANKCASE	1
E01-5	90502-0912-00		PIN	2
E01-6	15010-Z010120-Q500	0001180008	DIPSTICK SUBASSEMBLY, OIL	1
E01-8	15030-Z010120-Q500		PLUG SUBASSEMBLY, ENGINE OIL	1
E01-9	90001-0832-01	Not available-Pas disponible	BOLT	6

FIG.4 ROD,CRANKSHAFT CONNETING (E03)



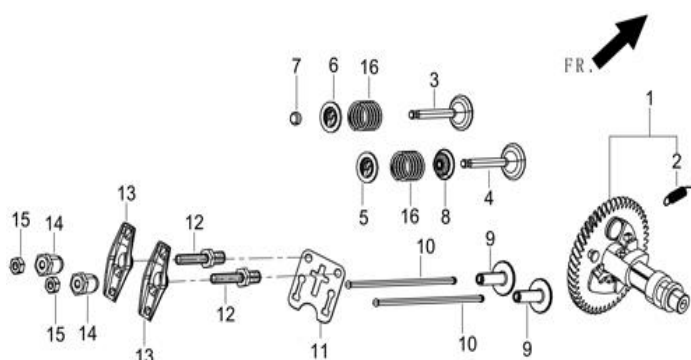
N°	Ref externe - External ref	PUBERT Reference	DESIGNATION - DESCRIPTION	QTY
E03-1	13300-Z530210-0000	0001210005	CRANKSHAFT ASSY.	1

FIG.5 RING SET,OIL / ROD,CRANKSHAFT CONNETING (E03)



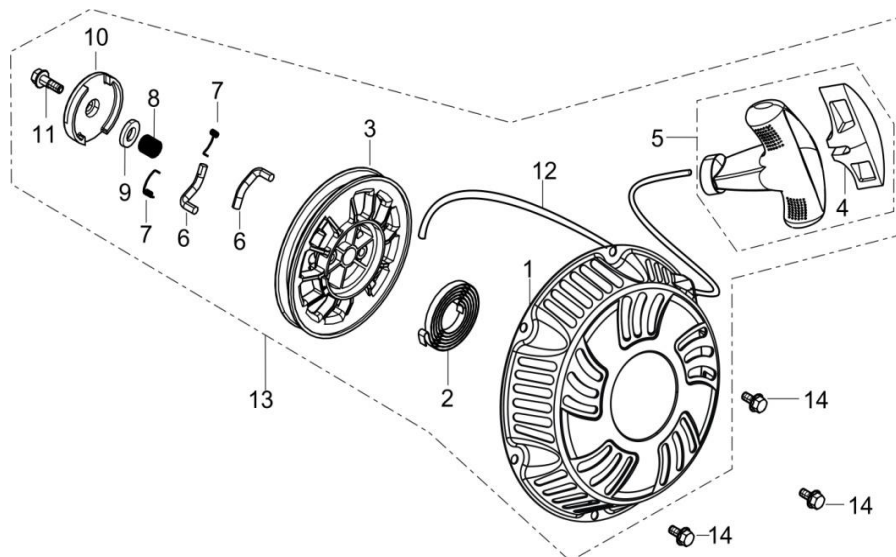
N°	Ref externe - External ref	PUBERT Reference	DESIGNATION - DESCRIPTION	QTY
E04-1		0001210107		
E04-2	13122-Z010110-0000	0001180014	CLIP, PISTON PIN	2
E04-3	13111-Z140110-0000	0001210106	PISTON	1
E04-4	13121-Z010110-0000	0001180011	PIN, PISTON	1
E04-5	13010-Z440110-0000	0001180012	ROD, CONNECTING	1
E04-7	13201-Z140110-0000	Not available-Pas disponible	RING, THE FIRST	1
E04-8	13202-Z140110-0000	Not available-Pas disponible	RING, THE SECON	1
E04-9	13210-Z140110-0000	Not available-Pas disponible	RING SET, OIL	1

FIG.6 TRAIN,VALVE / CAMSHAFT SUBASSEMBLY (E05)



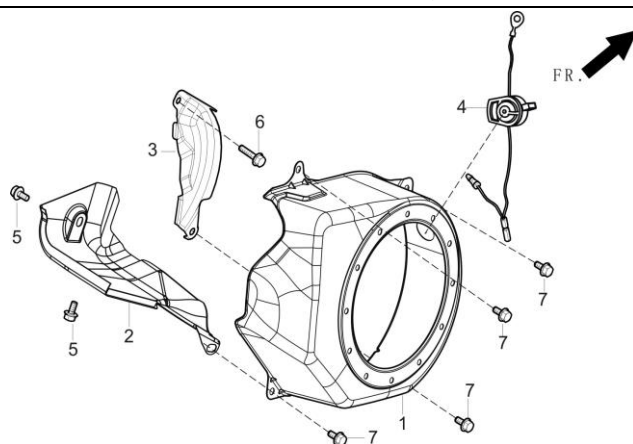
N°	Ref externe - External ref	PUBERT Reference	DESIGNATION - DESCRIPTION	QTY
E04-1	14200-Z440110-0000	0001180040	CAMSHAFT ASSY.	1
E04-3	12121-Z010110-0000	Not available-Pas disponible	VALVE, EXHAUST	1
E04-4	12111-Z010110-0000	0001060077	VALVE, INTAKE	1
E04-5	12112-Z010110-0000	0001090011	SEAT, VALVE SPRING	1
E04-6	12107-Z010110-0000	0001060078	RETAINER, EXHAUST VALVE	1
E04-7	12104-Z010110-0000	9501000562	ROTATOR, VALVE	1
E04-8	12101-Z010110-0000	0001180048	GUIDE, SEAL	1
E04-9	14081-Z440110-0000		TAPPET, VALVE	2
E04-10	14071-Z440110-0000		LIFTER, VALVE	2
E04-11	14090-Z010110-0000		PLATE SUBASSEMBLY, LIFTER STOPPER	1
E04-12	14313-Z010110-0000		BOLT, VALVE ADJUSTING	2
E04-13	14311-Z010110-0000		ROCKER, VALVE	2
E04-14	14314-Z010110-0000		NUT, VALVE ADJUSTING	2
E04-15	14312-Z010110-0000		NUT, VALVE LOCK	2
E04-16	12103-Z010110-0000		SPRING, VALVE	2

FIG.7 STARTER,RECOIL (E08)



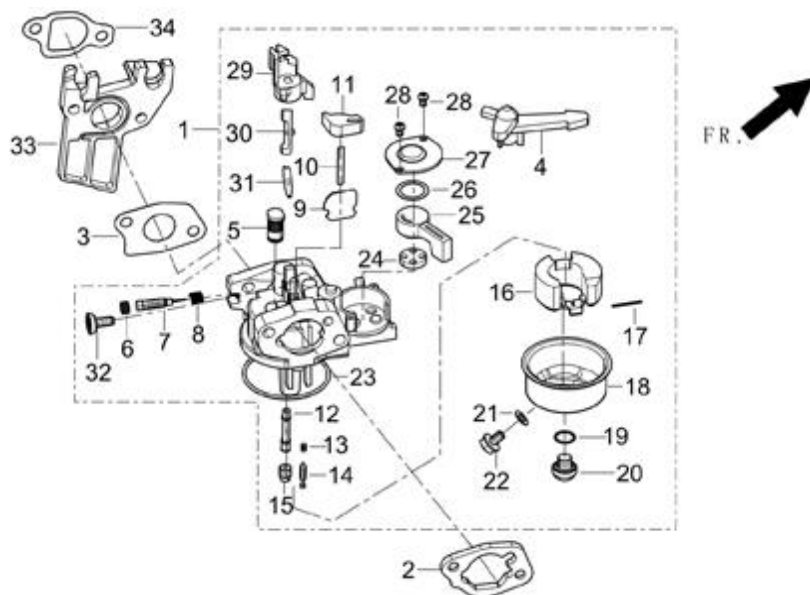
N°	Ref externe - External ref	PUBERT Reference	DESIGNATION - DESCRIPTION	QTY
E08-13	28200-Z440110-H300	0001210010	STARTER ASSY, RECOIL	1
E08-14	90001-0608-01	Not available-Pas disponible	BOLT	4

FIG.8 SHROUD / SHIELD,LOWER (E14)



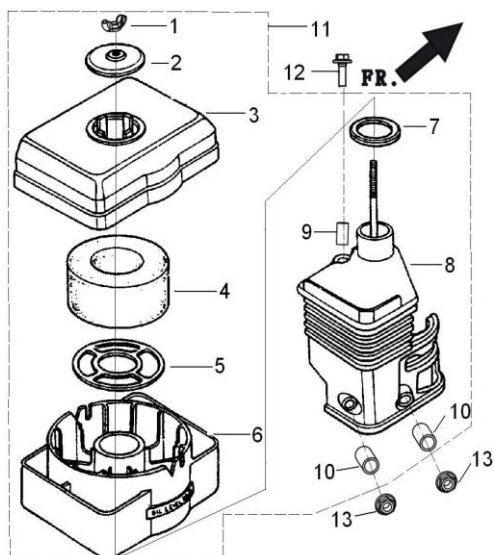
N°	Ref externe - External ref	PUBERT Reference	DESIGNATION - DESCRIPTION	QTY
E14-1	28110-Z010410-H300	0001210011	SHROUD	1
E14-2	19304-Z010110-0000	0001180019	SHROUD, CYLINDER BODY	1
E14-3	19340-Z010120-0000		SHIELD, LOWER	1
E14-4	35540-Z010220-QG00	Not available-Pas disponible	SWITCH SUBASSEMBLY, STOP ENGINE	1
E14-7	90001-0612-01	Not available-Pas disponible	BOLT	4
E14-9	90001-0610-01	Not available-Pas disponible	BOLT	2
E14-10	90001-0616-01	Not available-Pas disponible	BOLT	1

FIG.9 CARBURETOR ASSY. (E11)



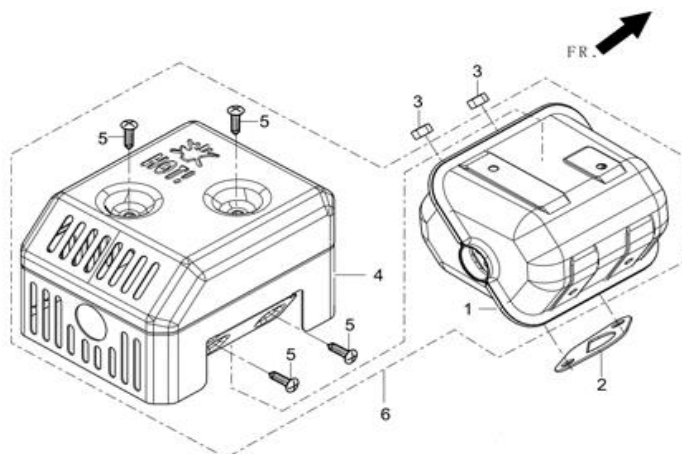
N°	Ref externe - External ref	PUBERT Reference	DESIGNATION - DESCRIPTION	QTY
E11-1	16100-Z530210-0000	0001180020	CARBURETOR ASSY.	1
E11-2	17001-Z010210-0000	0001180021	GASKET, AIR CLEANER	1
E11-3	16001-Z010110-0000	0001180022	GASKET, CARBURETOR	1
E11-4		0001180047	LEVER	
E11-33	16003-Z010110-0000	0001180023	PLATE, CARBURETOR INSULATOR	1
E11-34	16002-Z050110-0000	0001180024	GASKET, CARBURETOR INSULATOR	1

FIG.10 CLEANER, AIR (F02)



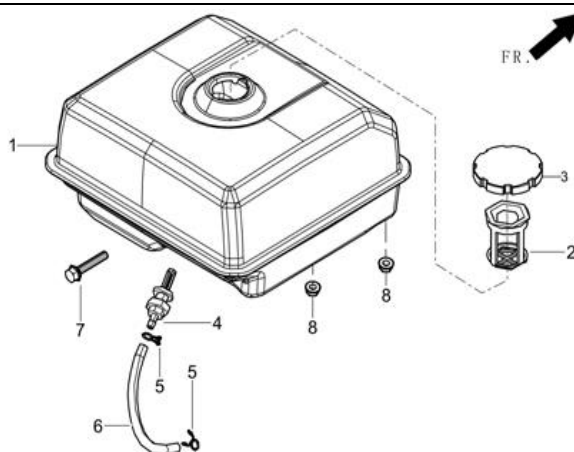
N°	Ref externe-External ref	PUBERT Reference	DESIGNATION - DESCRIPTION	Qt
E02-1		0001060037	BUTTERFLY NUT	1
E02-4	17100-Z010410-0000	0001060034	CLEANER, AIR	1
E04-11	90001-0625-01	0001210117	BOLT	1

FIG.11 MUFFLER ASSY. (F04)



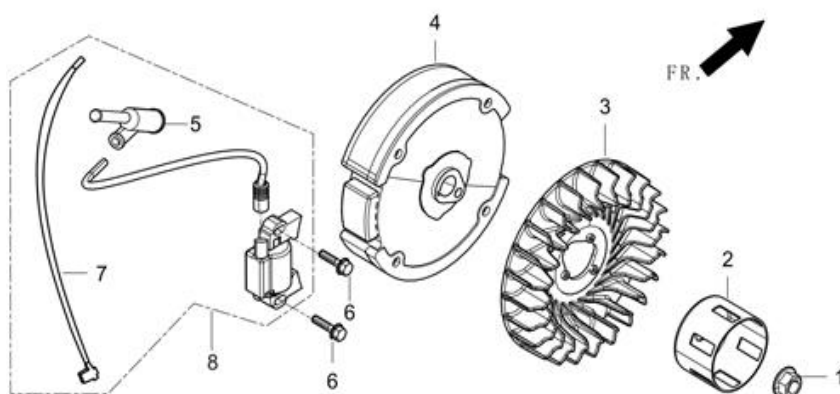
N°	Ref externe - External ref	PUBERT Reference	DESIGNATION - DESCRIPTION	QTY
F04-2	18001-Z440110-0000	0001180004	GASKET, EXHAUST OUTLET	1
F04-3	90303-0800-31	Not available-Pas disponible	NUT	2
F04-6	18100-Z440310-0002	00012100020	MUFFLER ASSY.	1

FIG.12 TANK ASSY, FUEL (F01)



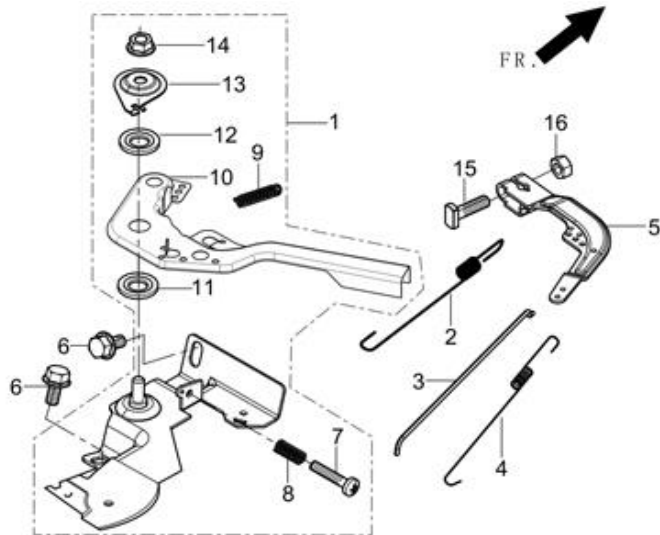
N°	Ref externe - External ref	PUBERT Reference	DESIGNATION - DESCRIPTION	QTY
F01-1	16620-Z300110-H300	0001210009	TANK, FUEL	1
F01-2	16652-Z010110-0000	0001180039	STRAINER, FUEL	1
F01-3	16730-Z300120-0000	0001180037	COVER, FUEL TANK	1
F01-4	16680-Z010110-0000	0001180036	OUTLET SUBASSEMBLY, FUEL TANK OIL	1
F01-5	90740-Z010210-0000		COLLAR	2
F01-6	90686-Z010710-0000		TUBE, FUEL	1
F01-7	90001-0630-01	Not available-Pas disponible	BOLT	1
F01-8	90305-0600-31	Not available-Pas disponible	NUT	2

FIG.13 FLYWHEEL / IMPELLER / STARTER PULLEY / IGNITION COIL (E15)



N°	Ref externe - External ref	PUBERT Reference	DESIGNATION - DESCRIPTION	QTY
E15-1	13501-Z010110-0000	0001180029	NUT, FLYWHEEL	1
E15-2	28002-Z260210-0000		PULLEY, STARTER	1
E15-3	19352-Z440110-0000		IMPELLER	1
E15-4	13510-Z440110-0000		FLYWHEEL SUBASSEMBLY	1
E15-6	90001-0625-01	Not available-Pas disponible	BOLT	2
E15-8	30400-Z440110-0000	0001180025	COIL, IGNITION	1

FIG.14 CONTROL ASSY, THROTTLE (E13)



N°	Ref externe - External ref	PUBERT Reference	DESIGNATION - DESCRIPTION	QTY
E13-1	16520-Z010420-0000	0001180045	CONTROL ASSY, THROTTLE	1
E13-2	16063-Z010110-0000	0001260023	SPRING, GOVERNOR	1
E13-3	16062-Z010110-0000	0001180032	ROD, GOVERNER	1
E13-4	16012-Z010110-0000	0001000222	SPRING, THROTTLE VALVE RETURNING	1
E13-5	16070-Z010110-0000	0001180046	SUPPORT SUBASSEMBLY, GOVERNOR	1
E13-6	90001-0610-01	Not available-Pas disponible	BOLT	2
E13-15	16072-Z010110-0000	Not available-Pas disponible	BOLT, GOVERNOR SUPPORT	1
E13-16	90305-0600-31	Not available-Pas disponible	NUT	1